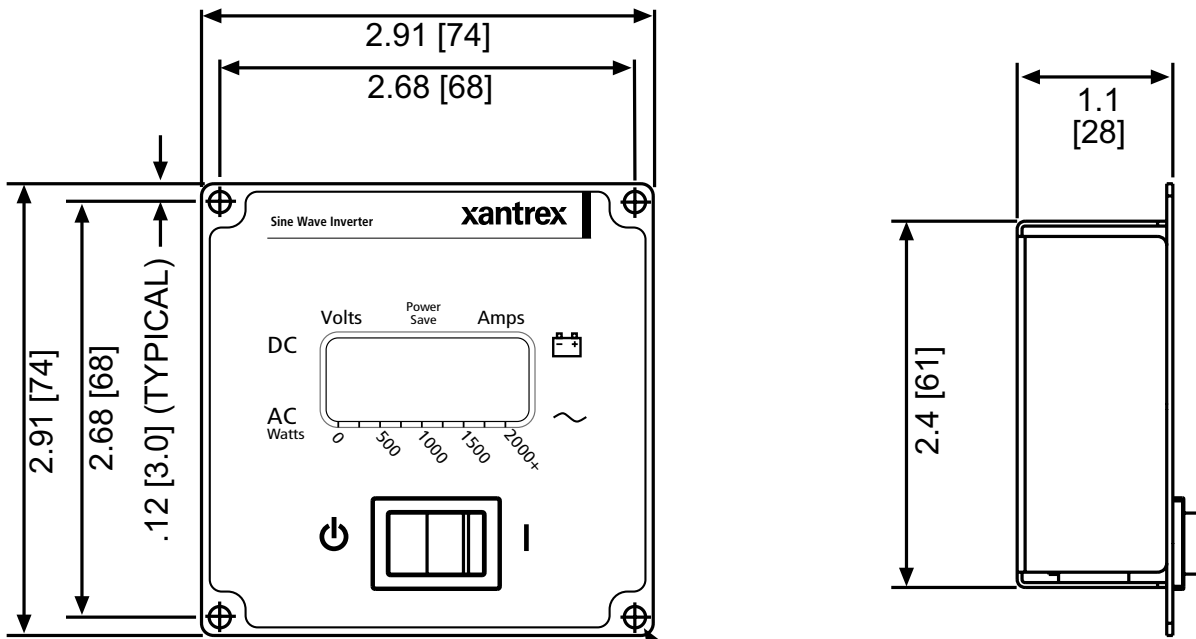
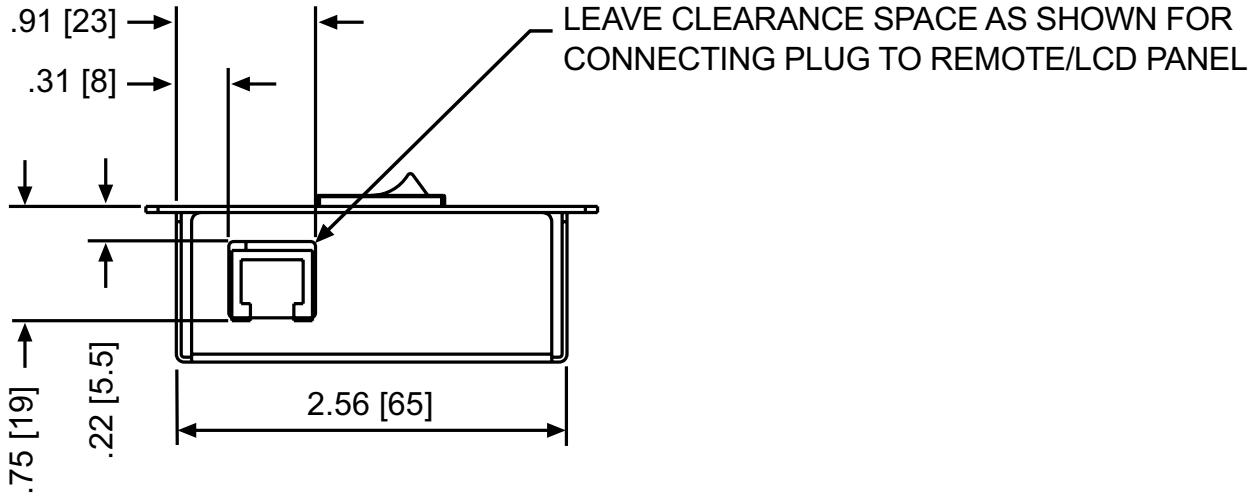


# Xantrex™ Sine Wave Inverter 1000/1800 Remote/LCD Mounting Instructions



Ø.138 [3.5]  
TYPICAL 4 HOLES  
USE MAXIMUM #4 [M3]  
SCREWS TO MOUNT PLATE

### General Notes:

Dimensions in: inches [millimeters]  
Drawing is not to scale